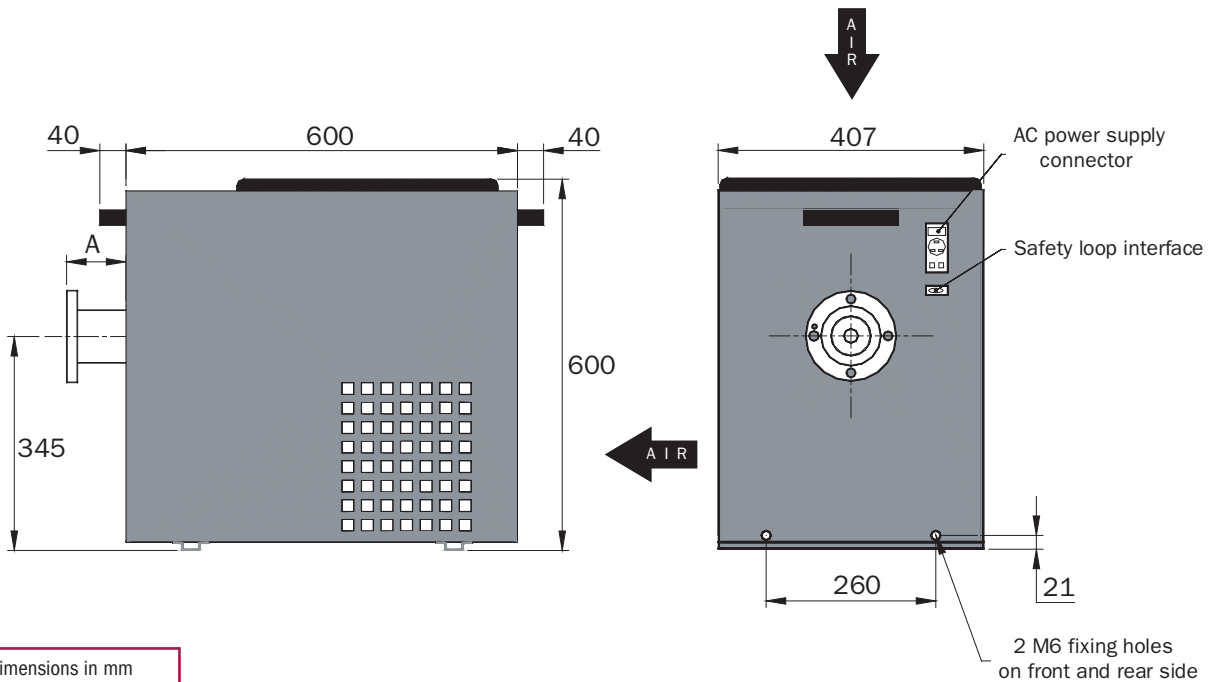
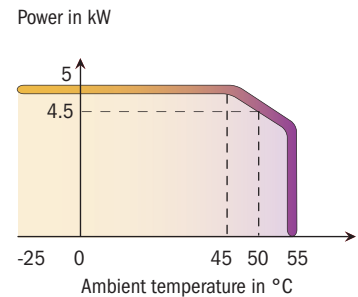




Standards
NF C 96-315
MIL-DTL-39030



Impedance	50 Ω ± 5%
Frequency	DC - 1 GHz (on request DC - 2.5 GHz)
Max VSWR	≤ 1.10 at 1 GHz
Temperature range	-25 to +55°C
Average power @ 45°C	5 kW
Cooling	Oil + forced air
Safety loop	Thermal + oil circulation
Main power safety	Lated fuses : fan 2 A, pump 0.8 A
Weight	45 kg



Dimensions in mm

P/N	Connector	AC power supply	A
17-0455	EIA 7/8"	220 V - 50/60 Hz	50
17-0507	EIA 7/8"	115 V - 50/60 Hz	50
17-0410	EIA 1.5/8"	220 V - 50/60 Hz	70
17-0414	EIA 1.5/8"	115 V - 50/60 Hz	70
17-0411	EIA 3.1/8"	220 V - 50/60 Hz	90
17-0415	EIA 3.1/8"	115 V - 50/60 Hz	90

Options	. VSWR ≤ 1.05 470 to 860 MHz for digital applications
	. Fans on/off depending on RF power applied
	. Swivel castors

Instruction manual and wiring diagram available on request

